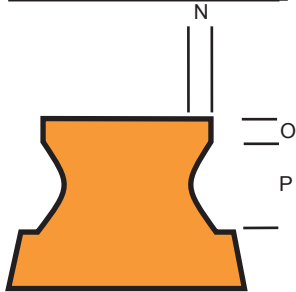


DIMENSIONS

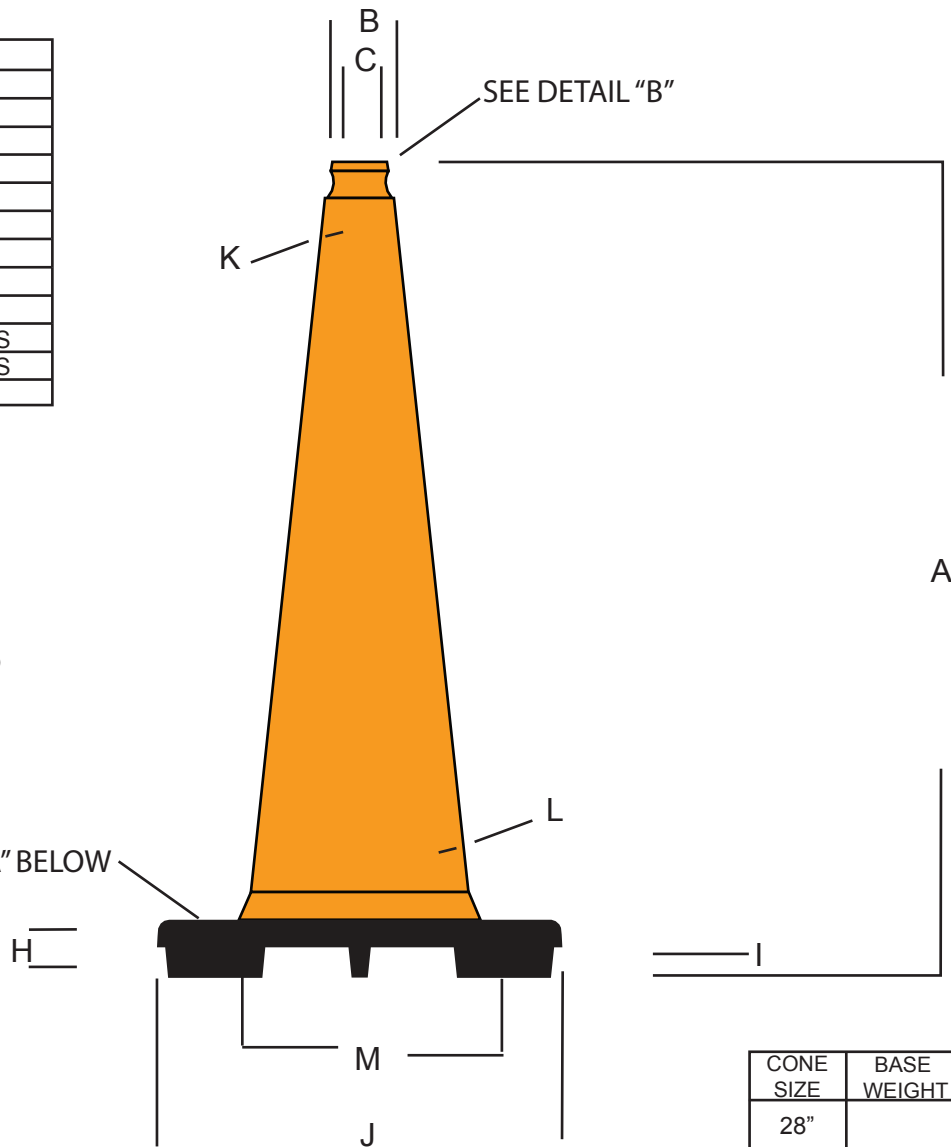
A	28.00"
B	2.00"
C	1.50" DIAMETER
D	
E	
F	
G	
H	1.5"
I	.625"
J	14.125"
K	.14" WALL THICKNESS
L	.16" WALL THICKNESS
M	7.88"

DETAIL "B"

N	.250" RECESS
O	.3125"
P	.75"



SEE DETAIL "A" BELOW

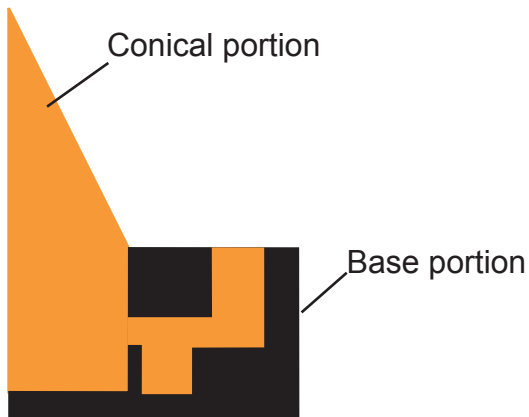


CONE SIZE	BASE WEIGHT	TOTAL WEIGHT
28"		7.26 lbs

Notes:

Conical section manufactured from 100% recyclable flourescent orange PVC

Base manufactured form 100% post industrial recycled black PVC



Circle Interlock System

DETAIL "A"



**28" TRAFFIC CONE
SLIM LINE
RS70032S**

JBC SAFETY PLASTIC INC.
710 NOGALES ST
CITY OF INDUSTRY CA 91748
www.jbcsafety.com

Date 11/14/13

REVOLUTION SERIES

DWG. NO. RS70032S